

HomePlug Transformer

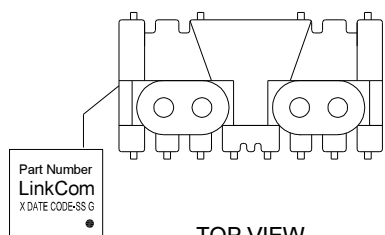
- RoHS Compliant
- Operating Temperature -40°C to +85°C
- 2MHz to 70MHz bandwidth

Electrical Specifications @25°C

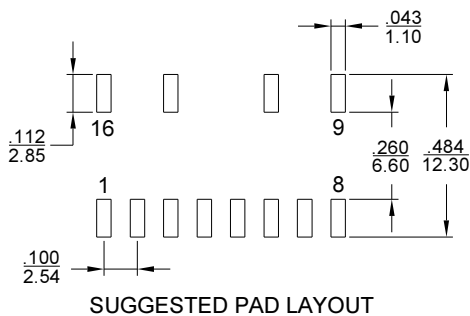
Inductance	PIN 1-4 & PIN 5-8 = 30.40uH ref. @ 1MHz/0.1V/Series
	PIN 2-3 & PIN 6-7 = 1.84uH ref. @ 1MHz/0.1V/Series
	PIN 14-16 & PIN 9-11 = 16.13uH ref. @ 1MHz/0.1V/Series
TX Leakage Inductance	PIN 2-3 & PIN6-7 = 20.8 nH ref. @ 1MHz/0.1V (PIN14-16, PIN9-11 shorted)
Turn Ratio:	PIN 14-16 : PIN 2-3 = PIN 9-11 : PIN 6-7 = 3±2% :1 @50KHz/1V
	PIN 1-4 : PIN 2-3 = PIN 5-8 : PIN 6-7 = 4±2% :1 @50KHz/1V
Hi-POT :	Pri.-Sec. = 3750VAC/1Seconds/0.5mA

Dimensions

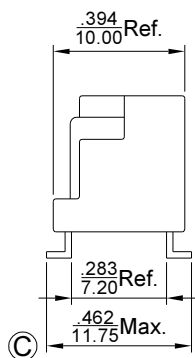
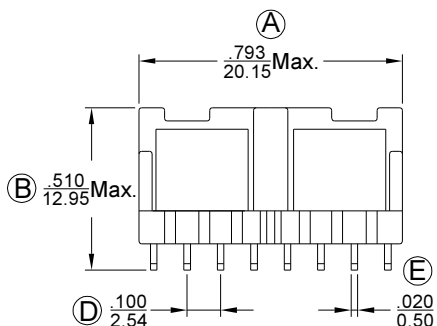
(Units: $\frac{\text{Inches}}{\text{mm}}$, Unless otherwise specified, all tolerances are $\pm\frac{.010}{0.25}$)



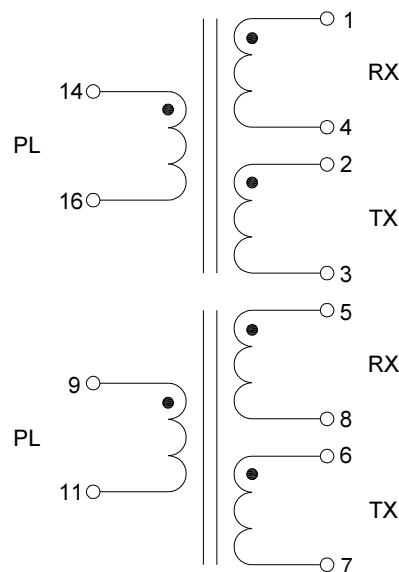
TOP VIEW



SUGGESTED PAD LAYOUT



Schematic



Mark

1. Part Number----LTC0382
2. X----PRODUCT LINE or BLANK
3. DATE CODE----YYWW
4. SS----50 OR BLANK
5. G----RoHS