

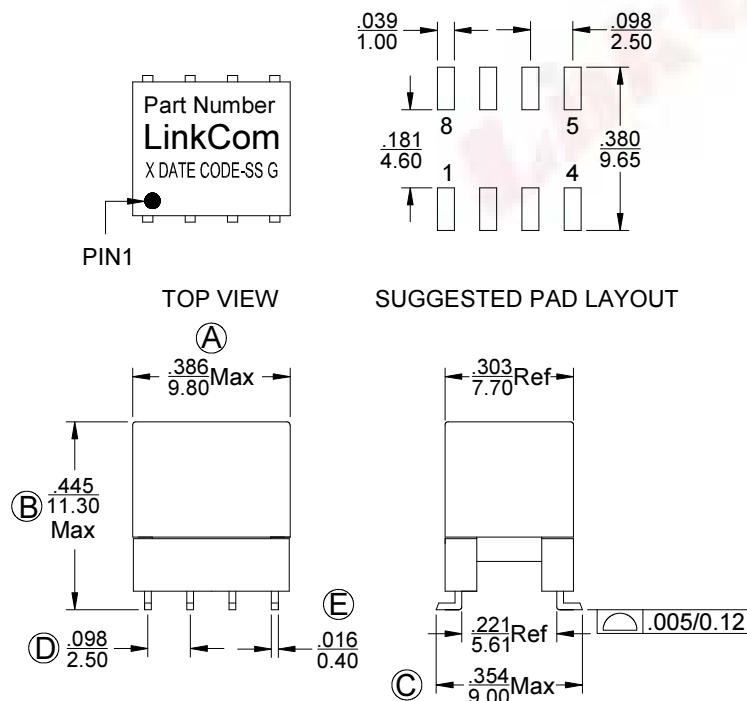
DC/DC Transformer

- RoHS Compliant
- Operating Temperature -40°C to +85°C
- 10% loss of Initial inductance @6Amp saturation current

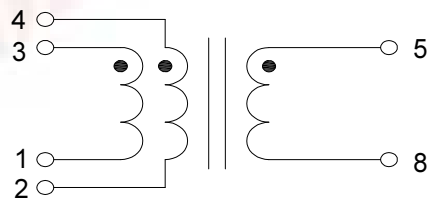
Electrical Specifications @25°C	
Inductance:	PIN 3-2 = 2.0 uH±5%. @ 10KHz/0.1V/Series (PIN 3,4;2,1 shorted)
Leakage inductance	PIN3-2=75 nH Max. @ 100KHz/0.1V (PIN 3,4;2,1 Shorted; 8,5 shorted)
D.C.R	PIN 3-2 = 12 mohm Max.(PIN 3,4;2,1 shorted)
	PIN 5-8 = 2.6 ohm Max.
Turn Ratio:	PIN 5-8 : PIN 3-2 = 10.0±2% : 1 (PIN 3,4;2,1 shorted)
Hi-POT :	PRI. – SEC. = 625 VAC/1Second/0.5mA

Dimensions

(Units: $\frac{\text{Inches}}{\text{mm}}$, Unless otherwise specified, all tolerances are $\pm\frac{.010}{0.25}$)



Schematic



PIN1,2 and 3,4 must be connected on PCB

Mark

1. Part Number----LDT0993
2. X----PRODUCT LINE or BLANK
3. DATE CODE----YYWW
4. SS----52 or BLANK
5. G----RoHS

Package info

LDT0993 -52R—Tape reel