

DC/DC Transformer

- RoHS Compliant
- Operating Temperature -40°C to +125°C
- Rated AC current : 150mA

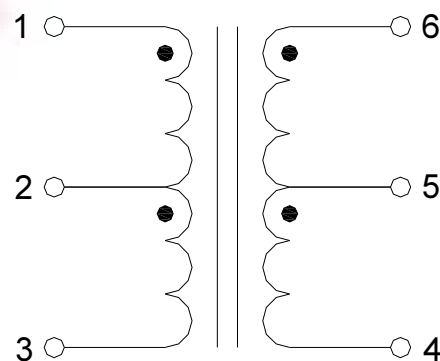
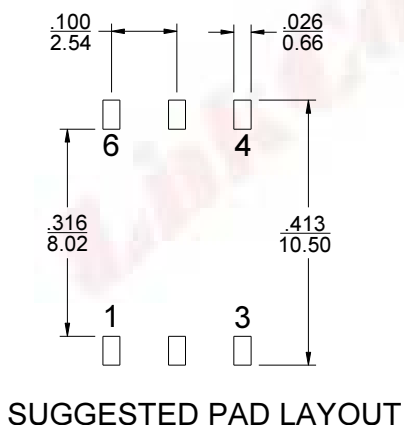
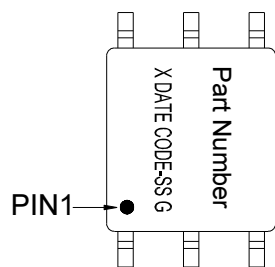
Electrical Specifications @25°C

Inductance	PIN1-3 = 475uH Min. @10KHz/0.1V
D.C.R.	PIN1-3 = 0.31ohm Max.
	PIN6-4 = 0.33ohm Max.
Turn Ratio	PIN 6-4 : PIN 1-3 = 1.1 : 1 ±2%
Hi-POT	PRI. – SEC. = 2500VAC/60Hz/1Sec/1mA

Dimensions

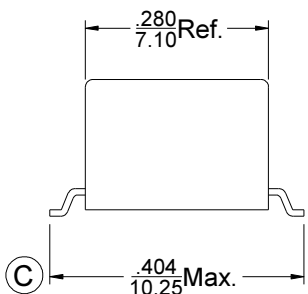
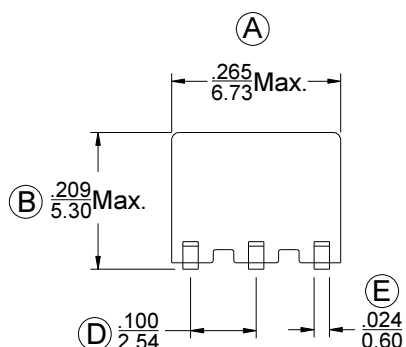
(Units: $\frac{\text{Inches}}{\text{mm}}$, Unless otherwise specified, all tolerances are $\pm\frac{.010}{0.25}$)

Schematic



TOP VIEW

SUGGESTED PAD LAYOUT



Mark

1. Part Number---LTC0503
2. X---PRODUCT LINE or BLANK
3. DATE CODE---YYWW
4. SS---50 OR BLANK
5. G---RoHS

Package info

LTC0503-50R - Tape reel