

AC Current Sensor

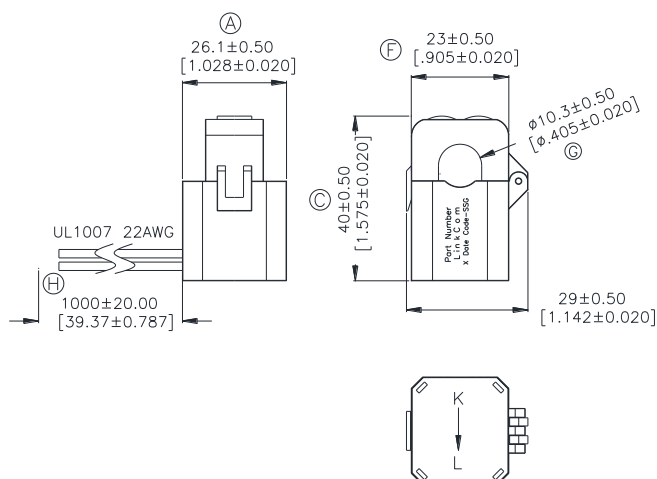
- Rated Voltage : 0.3kV
- Insulation Voltage : 2.5kV
- Operating Temperature : -15°C to 85°C
- Flame resistance : UL94-V0
- GB20840 and IEC61869 Standard

Electrical Specifications @25°C

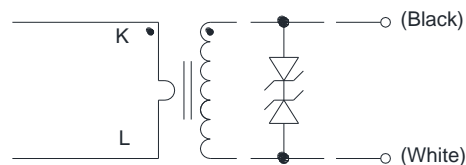
Rated Input Current Range (I _{PN})	0.1-60Arms (50Hz/60Hz)
Max Current	60A _{rms}
Working Frequency Range	50Hz/60Hz
Output Current I _{out} @ I _{PN}	(I _{PN} /3000) = 20mArms
Overall Accuracy @50Hz/60Hz	<±1 %
Phase Shift	1.5°±1°
Secondary Surge Voltage Clamping	16.7V diode
Dielectric Strength	2500VAC/0.3mA/60S
Operating Temperature	-15°C to 85°C
Storage Temperature	-30°C to 90°C
Case Material	UL94-V0
Clamp Hinge Mechanical Strength	~100 Cycles(clamp on/off)
Secondary Terminals	UL1007 22AWG / 1000mm±20mm
Connector Type	Molex 0430250200

Dimensions

(Units: $\frac{mm}{inch}$, Unless otherwise specified, all tolerances are $\pm \frac{0.25}{[.010]}$)



Schematic



Mark

- 1.Part Number----LCS0067
2. X----PRODUCT LINE or BLANK
3. DATE CODE----YYWW
4. SS----50 OR BLANK
5. G----RoHS
6. K→L---- K→L

Input / Output Transfer Curve

