

2.5G BASE-T Magnetics Module

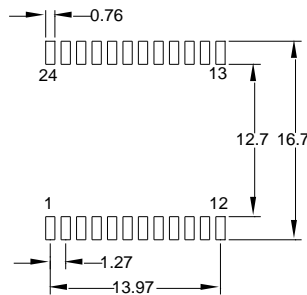
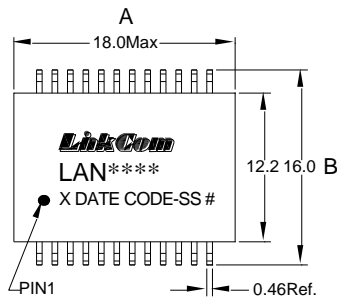
- Meets IEEE 802.3bz standard
- RoHS Compliant
- Single port configuration
- Operating Temperature: 0°C~+70°C

Electrical Specifications @25°C

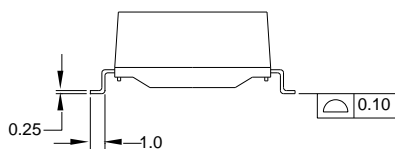
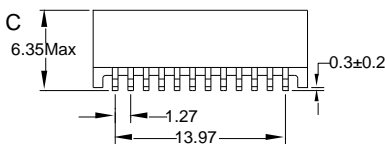
OCL:	180uH Min. @100KHz/0.1V			
Hi-POT :	1500Vrms.			
Turn Ratio:	1CT:1CT±3%			
Insertion Loss:	1-100MHz		100-125MHz	
	-1.0dB Max.		-1.5dB Max.	
Return Loss:	1-40MHz	40-60MHz	100MHz	125MHz
	-16dB Min	-14.2dB Min	-12dB Min	-11dB Min
Cross Talk :	-30dB Min @ 1-125MHz			
D.C.M.R.	-30dB Min @1-125MHz			

Dimensions

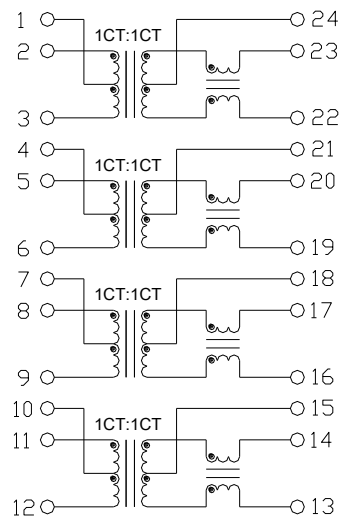
(Units: mm, Unless otherwise specified, all tolerances are ±0.25)



SUGGESTED PAD LAYOUT



Schematic



Mark

- 1.LAN****----LAN7241
2. X----PRODUCT LINE or BLANK
3. DATE CODE----YYWW
4. SS----50 OR BLANK
5. #----G means RoHS

Package info

LAN7241-50R—Tape Reel