

2.5G BASE-T Magnetics Module

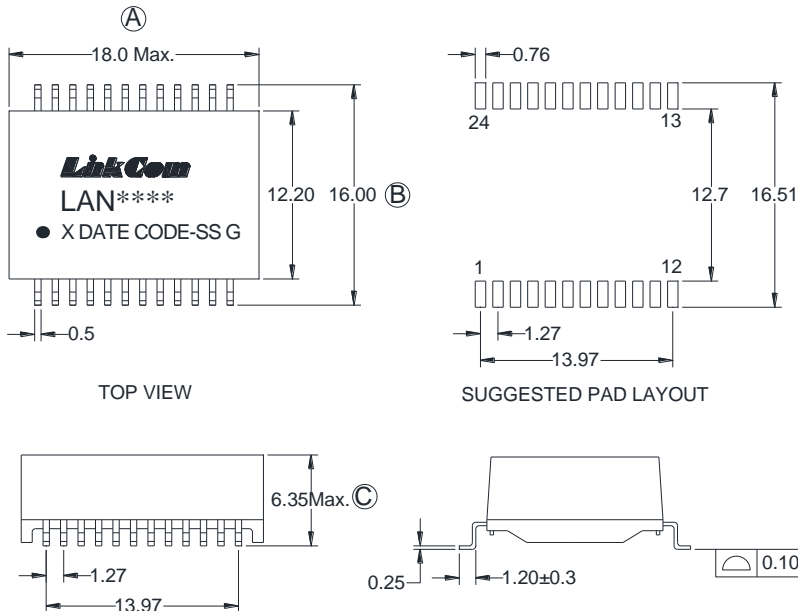
- Meets IEEE 802.3bz/bt standard
- RoHS Compliant
- Single port configuration
- Suitable for PoE application with 1000mA current capability.
- Operating Temperature: -40°C~+85°C

Electrical Specifications @25°C

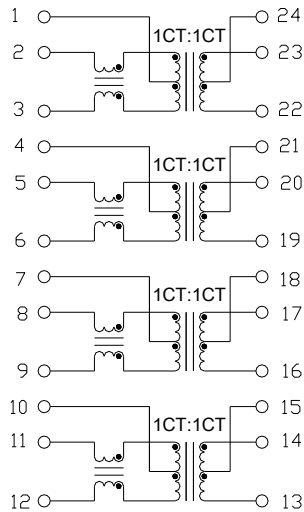
OCL:	180uH Min. @100KHz/0.1V 150uH Min. @100KHz/0.1V@18mA DC Bias	
Hi-POT :	1500Vrms.	
Turn Ratio:	1CT:1CT±3%	
Insertion Loss:	1-50MHz	50-125MHz
	-0.5dB Max.	-1.0dB Max.
Return Loss:	1-40MHz	40-125MHz
	-16dB Min	-16+10log (f/40) dB Min.
Cross Talk :	-30dB Min @ 1-125MHz	
D.C.M.R.	-30dB Min @1-125MHz	

Dimensions

(Units: mm, Unless otherwise specified, all tolerances are ±0.25)



Schematic



Mark

- 1.LAN****----LAN7241
2. X----PRODUCT LINE or BLANK
3. DATE CODE----YYWW
4. SS----92 or BLANK
5. G----RoHS

Package info

LAN7241-92R—Tape Reel