

2.5GBASE-T Magnetics Module

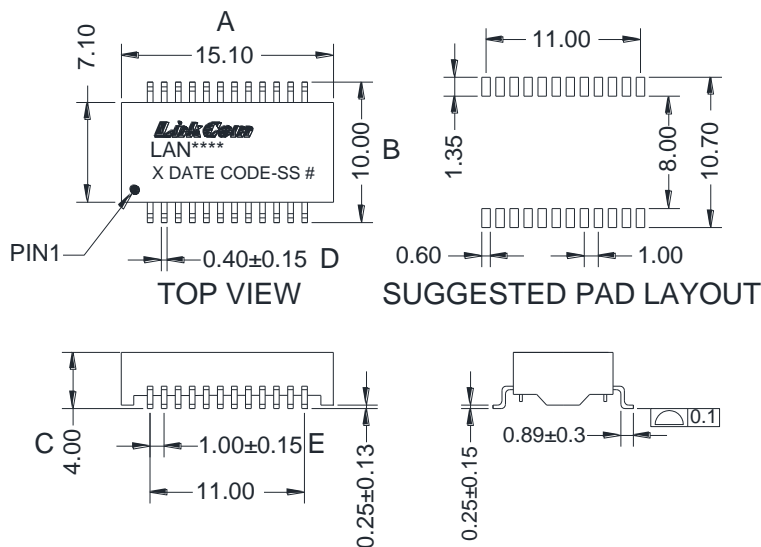
- Meets IEEE 802.3bz/at standard
- RoHS Compliant
- Single port configuration
- Suitable for End-span PoE application with 600mA current capability
- Operating Temperature: 0°C ~ +70°C

Electrical Specification @25°C			
Inductance:	180uH Min. @100KHz/0.1V		
Hi-POT :	1500V		
Turn Ratio:	1CT:1CT±3%		
Insertion Loss:	1-100MHz	100-125MHz	
	-1.0dB Max.	-1.5dB Max.	
Return Loss:	1-40MHz	40-125MHz	
	-20dB Min	-16+10*log(f/40) dB Min	
D.C.M.R :	30MHz	60MHz	125MHz
	-40dB Min.	-35dB Min.	-30dB Min.
Cross Talk :	30MHz	60MHz	125MHz
	-40dB Min.	-35dB Min.	-30dB Min.

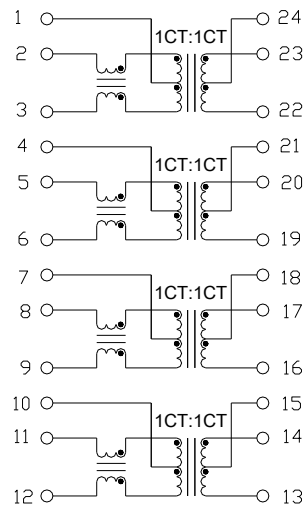
Dimensions

Units: mm

Unless otherwise specified, all tolerances are ±0.25



Schematic



Mark

1. LAN****----LAN7242
2. X----PRODUCT LINE or BLANK
3. DATE CODE----YYWW
4. SS----- 52 or BLANK
5. #----G means RoHS

Package info

LAN7242-52R—Tape Reel