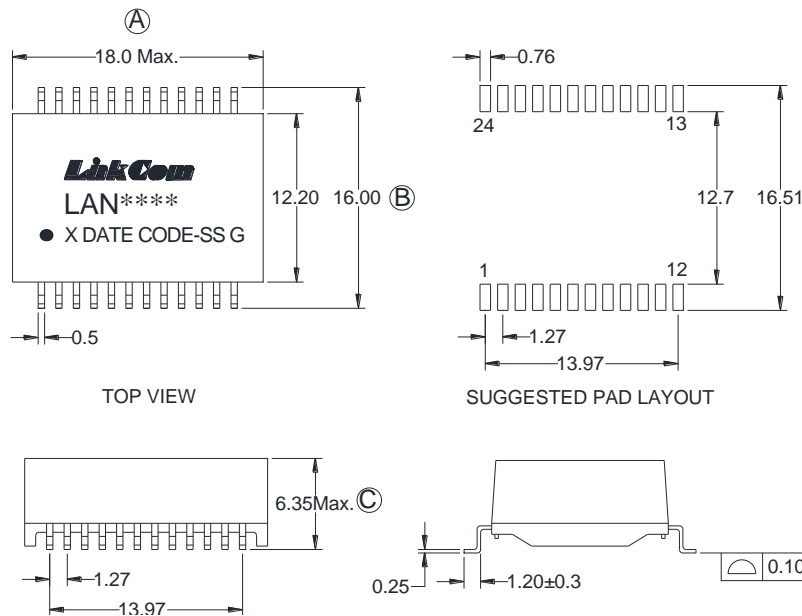


**10/100/1000BASE-T Magnetics Module**

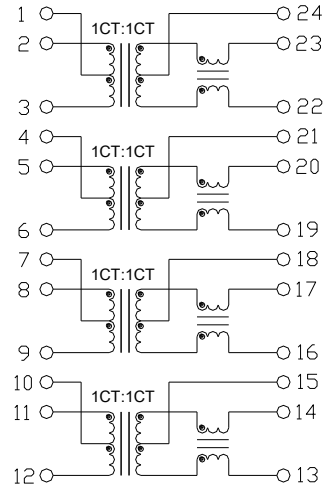
- Meets IEEE 802.3 standard for 1000BASE-T
- RoHS Compliant
- Single port configuration
- Operating Temperature: 0°C ~+70°C

Electrical Specifications @25°C			
OCL:	350uH Min. @100KHz/0.1V with 8mA DC Bias		
Hi-POT :	1500VAC		
Turn Ratio:	1CT:1CT±3%		
Insertion Loss:	1-100MHz @ -1.0dB Max.		
Return Loss:	1-30MHz	60-80MHz	100MHz
	-18dB Min	-12dB Min	-10dB Min
Cross Talk :	30MHz	60MHz	100MHz
	-45dB Min.	-40dB Min.	-35dB Min.
D.C.M.R.:	30MHz	60MHz	100MHz
	-43dB Min.	-37dB Min.	-33dB Min.

**Dimensions**



**Schematic**



**Mark**

1. .LAN\*\*\*\*----LAN3003
2. X----PRODUCT LINE or BLANK
3. DATE CODE----YYWW
4. SS----80 or BLANK
5. G----RoHS

Units: mm  
Unless otherwise specified, all tolerances are ±0.25

**Package info**

LAN3003-80R—Tape Reel