

10/100/1000BASE-T Magnetics Module

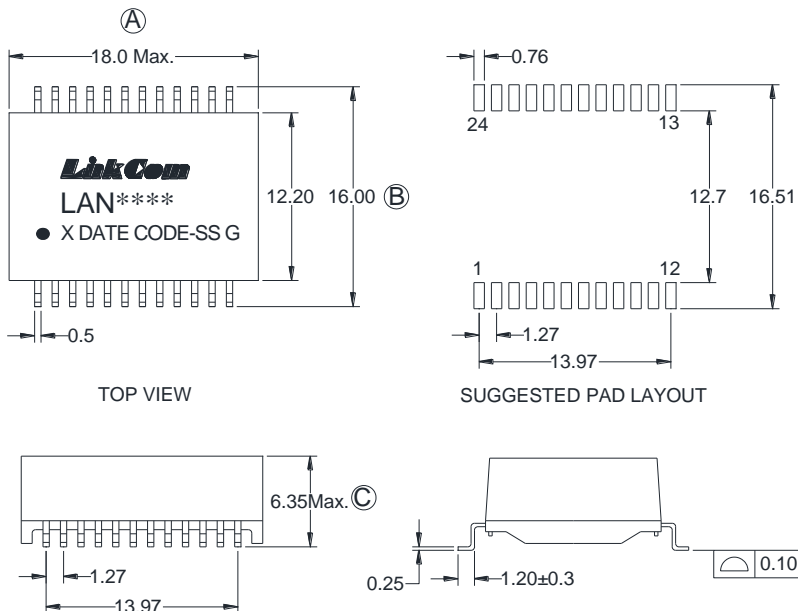
- Meets IEEE 802.3at standard
- RoHS Compliant
- Single port configuration
- Suitable for End-span PoE application with 600mA current capability
- Operating Temperature: -40°C ~ +85°C

Electrical Specifications @25°C

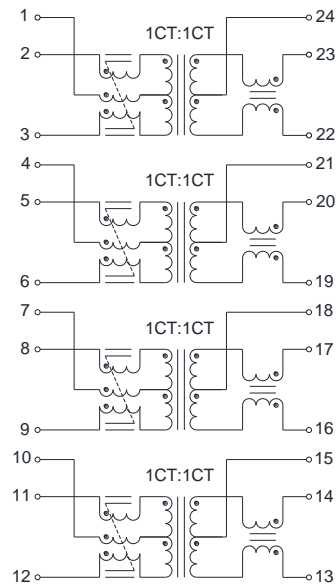
OCL:	350uH Min. @100KHz/0.1V with 8mA DC Bias		
Hi-POT :	1500Vrms.		
Turn Ratio:	1CT:1CT±3%		
Insertion Loss:	-1.0dB Max. @ 1-100MHz		
Return Loss:	1-30MHz	60-80MHz	100MHz
	-18dB Min.	-12dB Min.	-10dB Min.
Cross Talk :	30MHz	60MHz	100MHz
	-40dB Min.	-35dB Min.	-30dB Min.
D.C.M.R.	30MHz	60MHz	100MHz
	-40dB Min.	-35dB Min.	-30dB Min.

Dimensions

(Units: mm, Unless otherwise specified, all tolerances are ±0.25)



Schematic



Mark

1. LAN****----LAN5241
2. X----PRODUCT LINE or BLANK
3. DATE CODE----YYWW
4. SS----96 or BLANK
5. G----RoHS

Package info

LAN5241-96R— Tape Reel